

# DESIGN

## ZAFFIRO

### Installation guide Single lever freestanding mixer

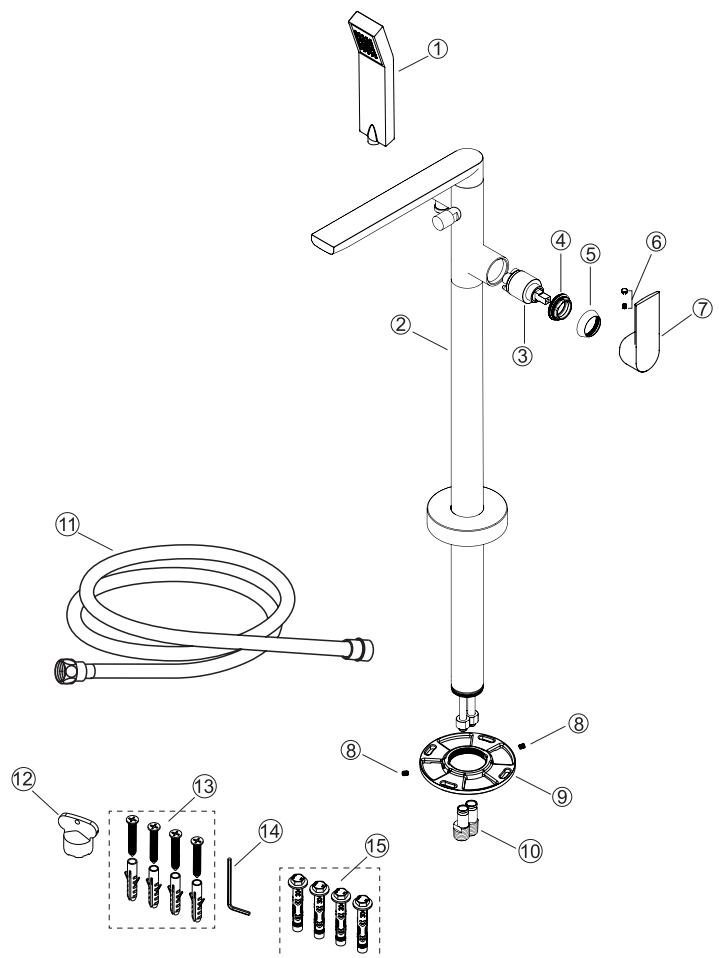
Please check the list of accessories here below and contact our company or our distributor for any discrepancy

Remarks:

1. Accessories may be modified without notice, without affecting their performance;
2. Drawings are for reference only. Product size and shape may not correspond to actual mixer.

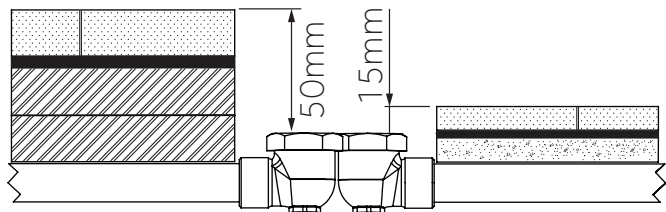
List of the standard accessories:

Part number	Accessory list
1	Hand shower
2	Body
3	Cartridge
4	Nut
5	Bonnet
6	Plug button kit
7	Handle
8	Allen screw
9	Base
10	Asymmetrical hose adaptor
11	Shower hose
12	Plastic wrench
13	Screw for bracket
14	Allen key
15	Expansion screw

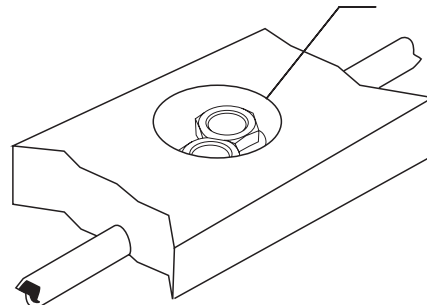


# DESIGN

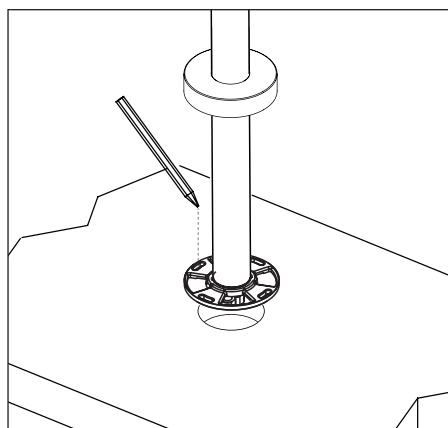
Maximal and minimal height of all layers floor



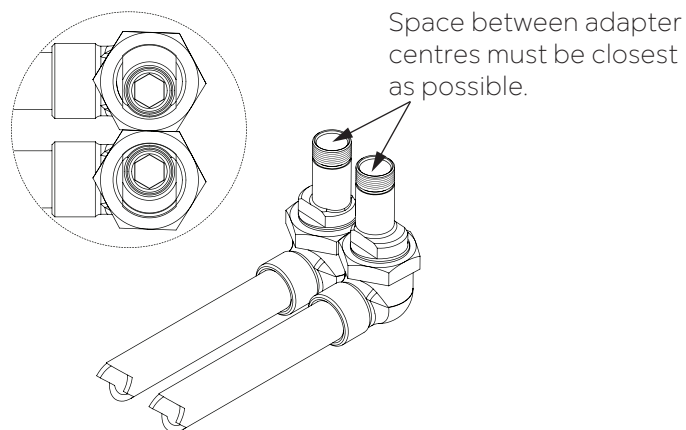
Recommended mounting hole <math>< \text{Ø}60 \text{ mm}</math>



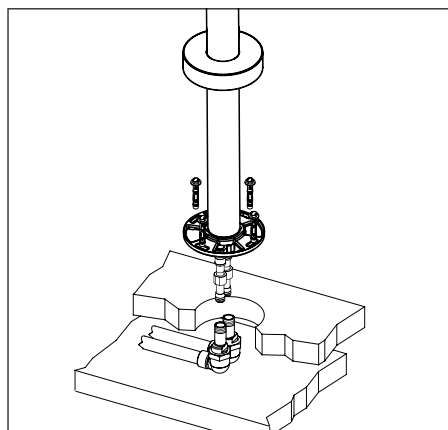
Mark the fixing holes in the floor



Correct spacing between adapters



Mounting mixer to the floor



Connect the hand shower to the body with the shower hose and fit the hand shower into the shower holder. Turn on the water supply and check for leaks with the mixer in the on and off positions and water diverted to the spout and hand shower.

